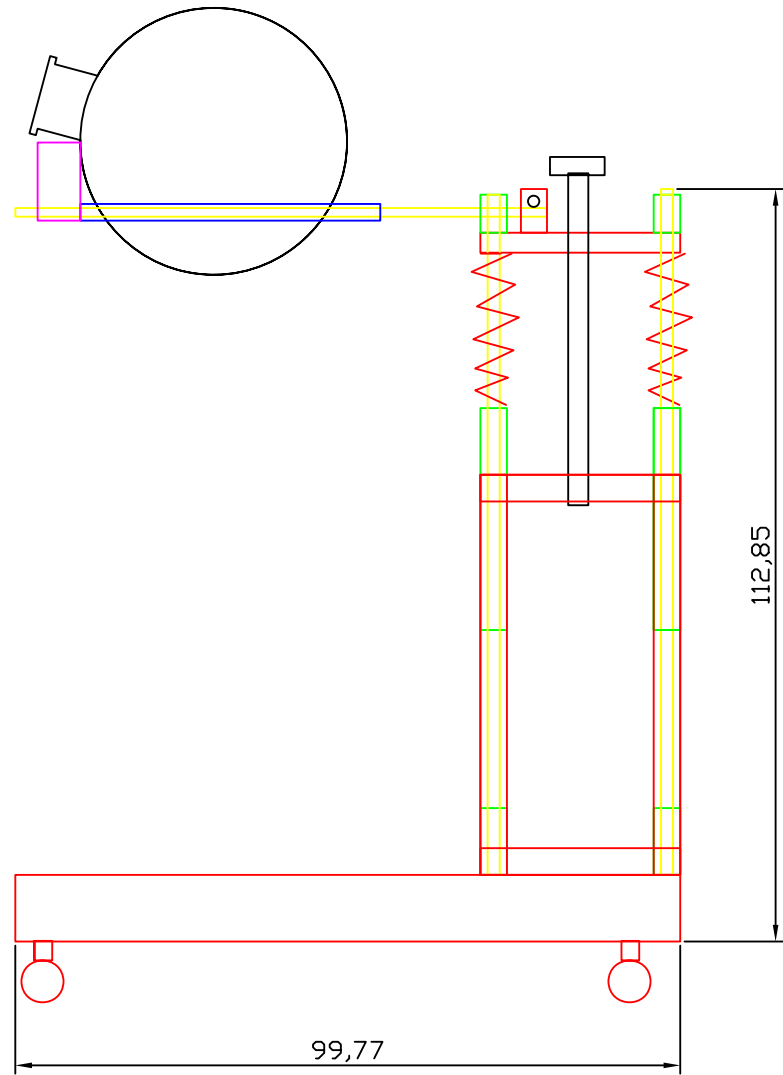
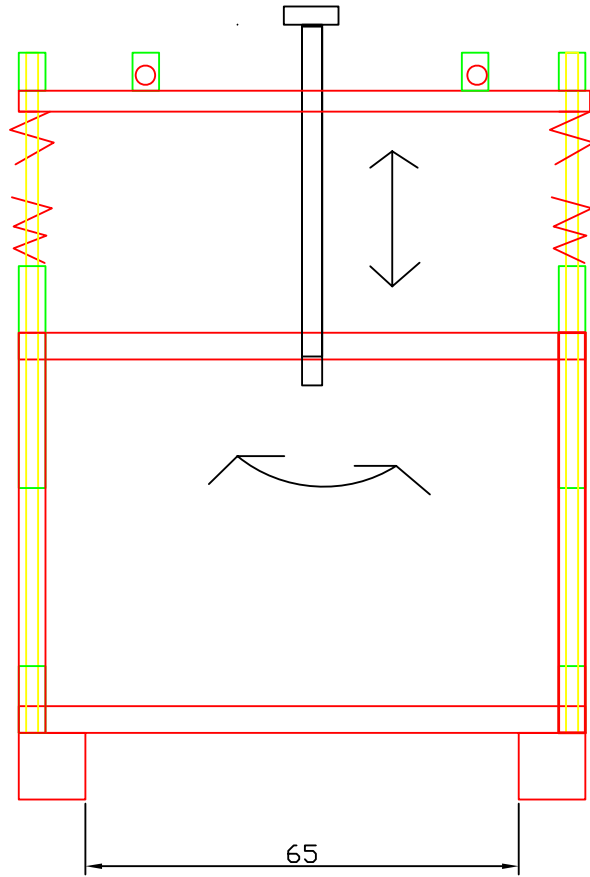


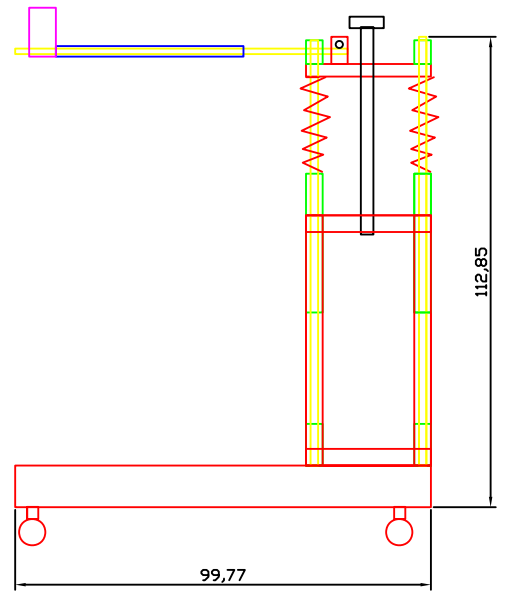
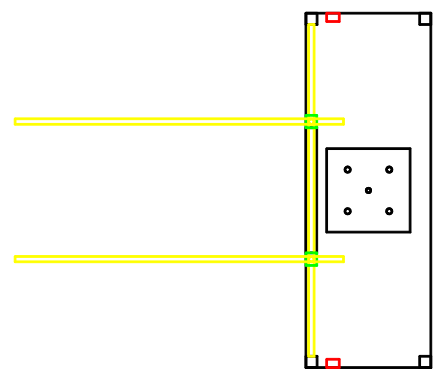
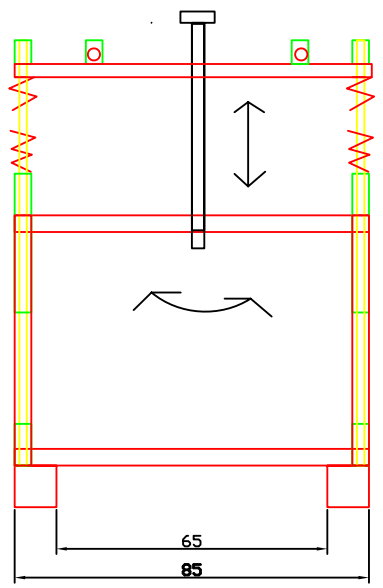
20L 乾燥瓶拆卸架構



Itemref	Quantity	Title/Name, designation, material, dimension etc			Article No./Reference	
Designed by Kuo	Checked by Kuo	Approved by - date Tan - 15/03/27	File name MaTuCa	Date 15/03/27	Scale 1:1	
RuiNeng 20LH-1			RuiNeng Technology com			
			Kuo	Edition 0	Sheet 1/1	

RevNo	Revision note	Date	Signature	Checked
-------	---------------	------	-----------	---------

20L 乾燥瓶拆卸架構



Itemref	Quantity	Title/Name, designation, material, dimension etc	Article No./Reference		
Designed by Kuo	Checked by Kuo	Approved by - date Tan - 15/03/27	File name MaTuCa	Date 15/03/27	Scale 1:1
20LH-1 2016-8-3			RuiNeng Technology com		
			Kuo	Edition 0	Sheet 1/1